

Vaughn Chandelier

3001303 | I.1

GENERATION LIGHTING CHANDELIER

SAVE THESE INSTRUCTIONS!

GENERAL PRODUCT INFORMATION:

These fixtures are intended to be installed utilizing NEC compliant junction boxes.

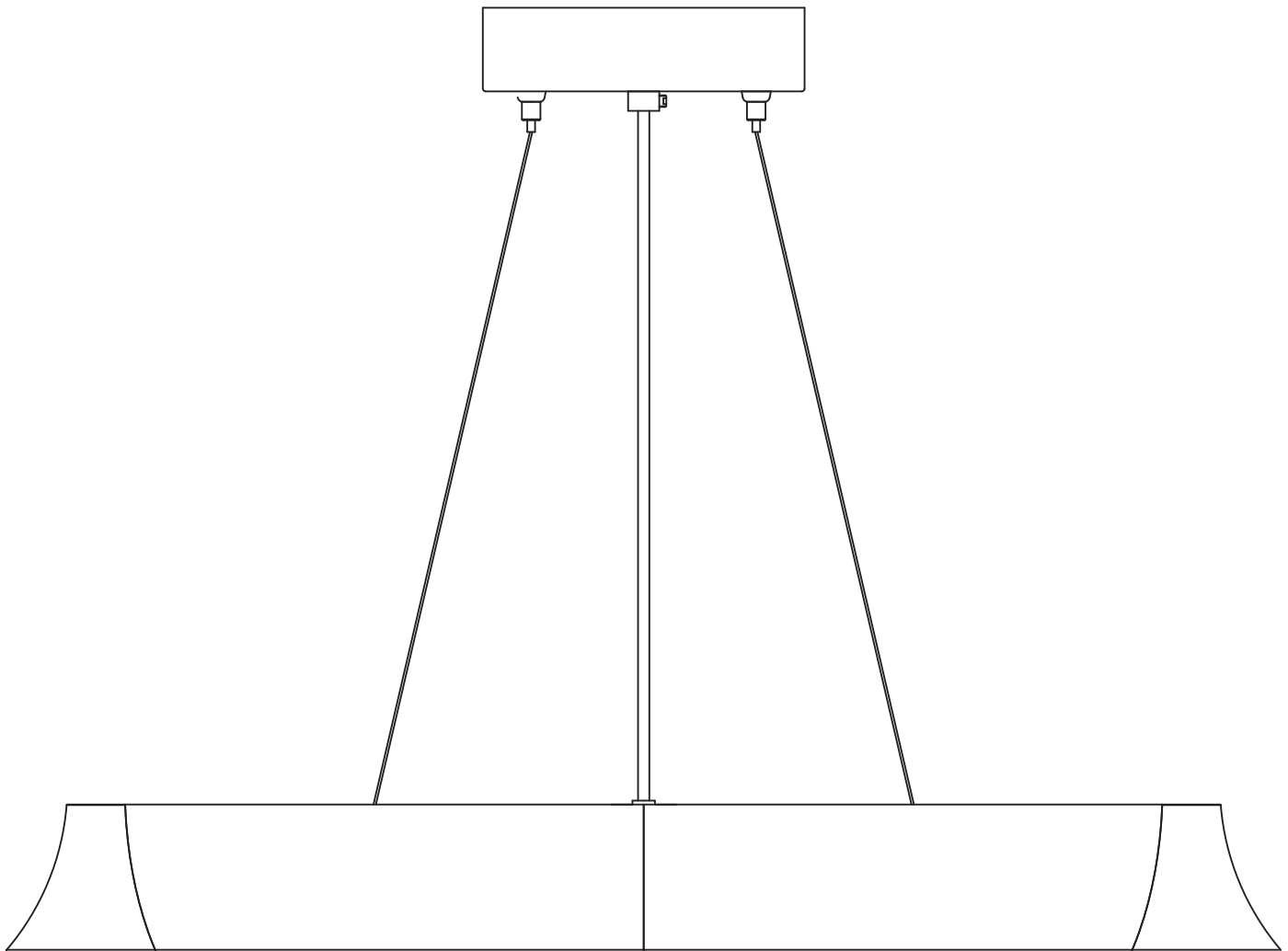
This product is safety listed for damp locations.

This instruction shows a typical installation.

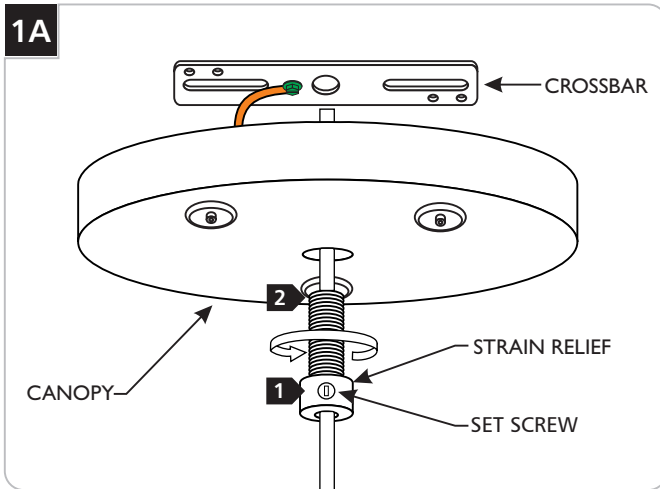
CAUTION - RISK OF FIRE

This product must be installed in accordance with the applicable installation code by a person familiar with the construction and operation of the product and the hazards involved.

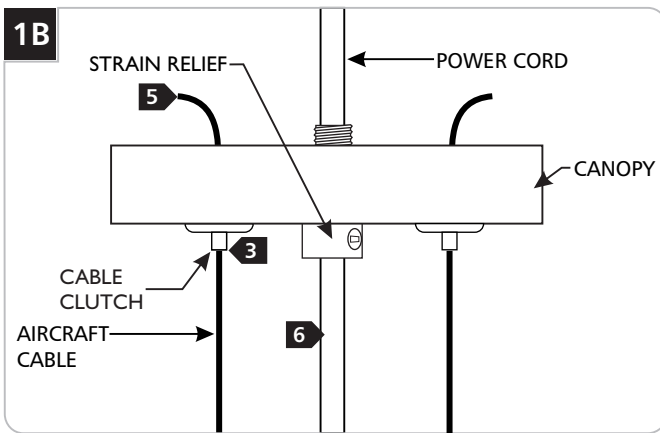
Use minimum 90°c supply conductors.



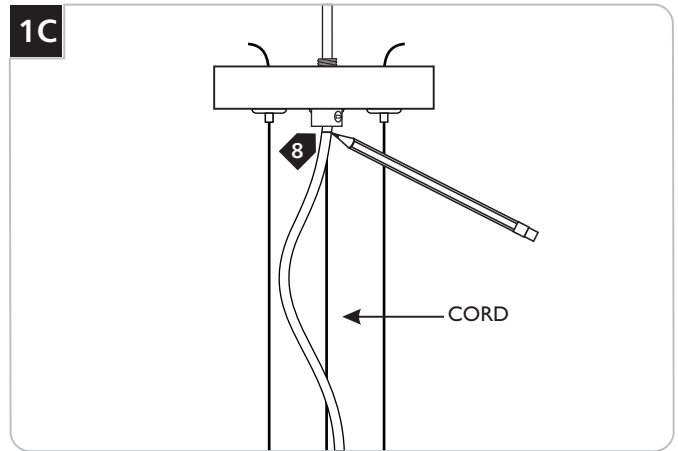
Shorten the Power Cord



- 1 Loosen (Do Not Remove) the set screw on the strain relief.
- 2 Remove the crossbar from the canopy by completely unscrewing the strain relief.

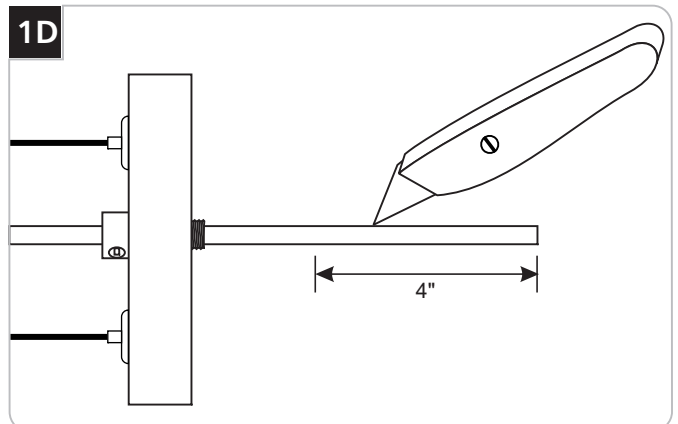


- 3 Feed the aircraft cable through the cable clutch in the canopy.
- 4 Pull the aircraft cable up through the canopy to determine the fixture height.
- 5 Cut off the excess aircraft cable leaving enough for fine leveling later.
- 6 Pull the power cord through the canopy to the desired length.



NOTE: The power cord does not support the fixture. For a casual "lazy cord" look, cut the power cord several inches longer than the drop height of the fixture.

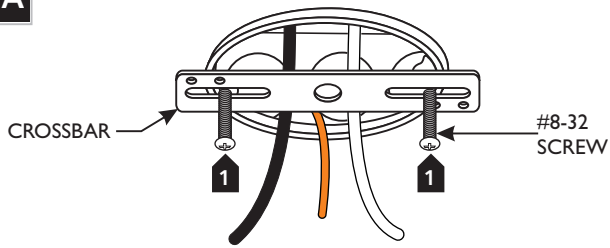
- 7 Once the desired look is determined, tighten the set screw on the strain relief.
- 8 Mark the cord underneath the strain relief.



- 9 Leave 6" of the cord behind the canopy for power connections. Cut the excess cord.
- 10 From the end of the cord, strip the insulation 4" using a sharp knife. **Make sure not to nick the inner wires.**
- 11 Strip the end of the wires.

Mount the Fixture

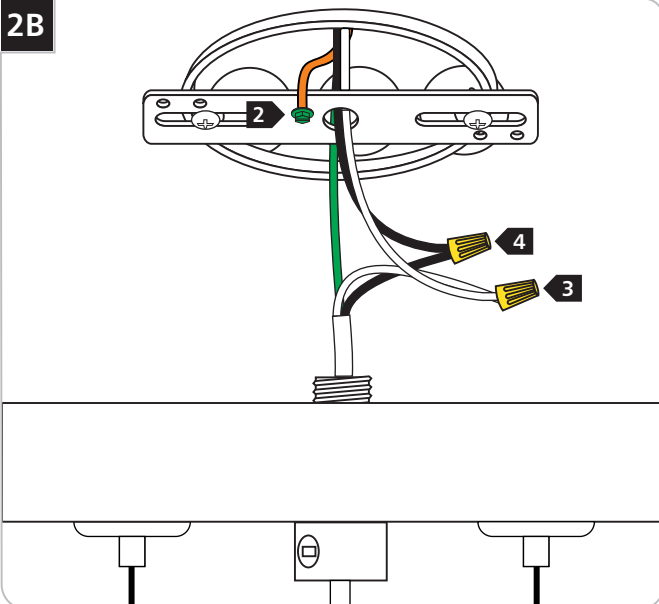
2A



- 1 Mount the crossbar to the electrical box with the two provided #8-32 screws.

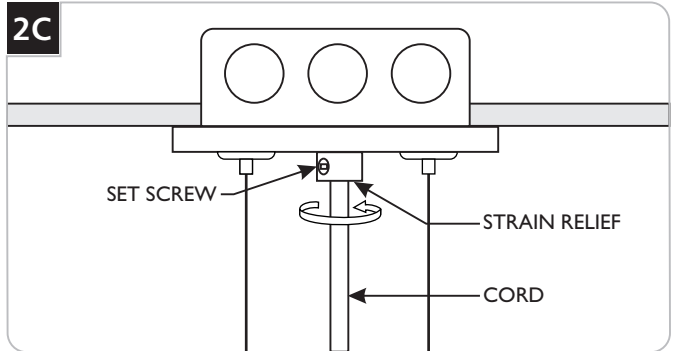
NOTE: It is recommended that one person hold the fixture while the electrician connects the power and installs the canopy.

2B



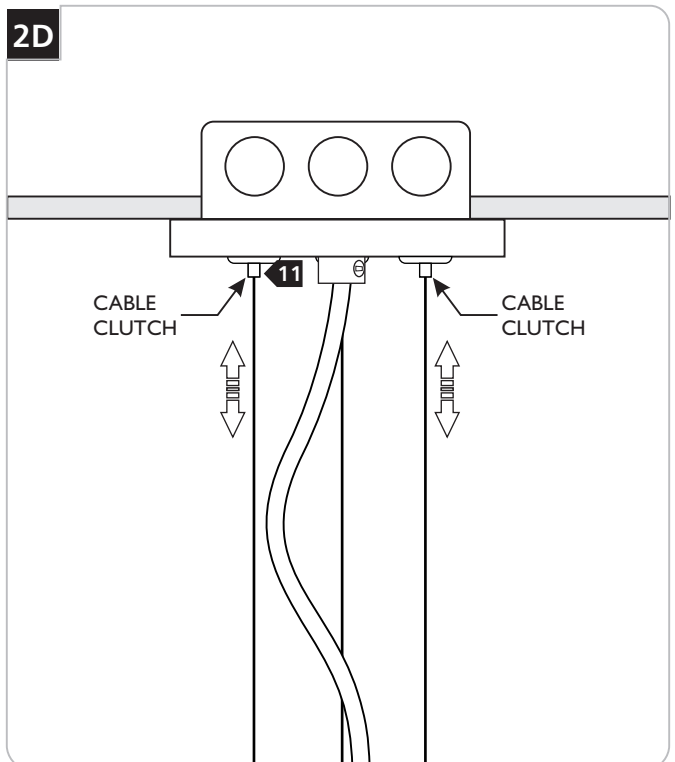
- 2 Ground the fixture to a suitable ground in accordance with local electrical codes.
- 3 Connect the fixture wire: white wire, white tracer, or labeled neutral to the neutral power line wire with a wire nut.
- 4 Connect the remaining fixture wire: black wire or labeled positive to the hot power line wire with a wire nut.

2C



- 5 Place all wires and wire nut connections properly inside the electrical box.
- 6 Loosen the set screw on the strain relief.
- 7 Align the canopy center hole with the crossbar center hole.
- 8 Place the canopy up against the ceiling and secure it in place by tightening the strain relief into the crossbar. **Do not turn the cord.**
- 9 Push the cord into the canopy and line up the marked point on the cord with the bottom of the strain relief.
- 10 Tighten the plastic set screw to secure the cord.

2D



- 11 Adjust the aircraft cables until the fixture is level; feed the cable into the cable clutch to raise the fixture and push in on the cable clutch nipple to release the cable and lower the fixture.

GENERATION LIGHTING
7400 Linder Ave., Skokie, IL 60077
T 847.410.4400 | F 847.410.4500
www.generationlighting.com